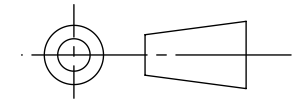
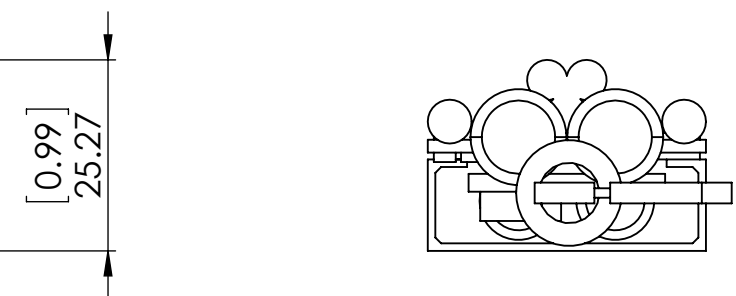
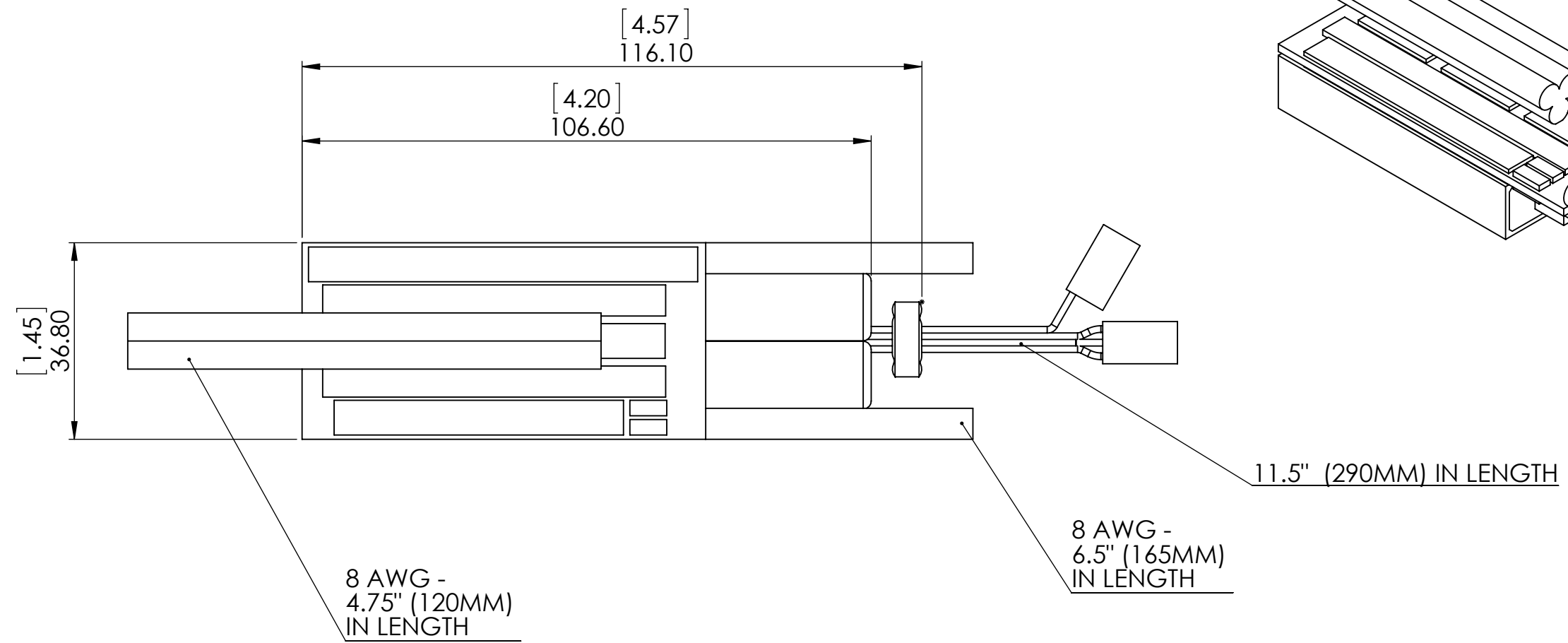


8 7 6 5 4 3 2 1

D  
C  
B  
A

D  
C  
B



PROPRIETARY AND CONFIDENTIAL  
THE INFORMATION CONTAINED IN THIS DRAWING IS THE SOLE PROPERTY OF CASTLE CREATIONS. ANY REPRODUCTION IN PART OR AS A WHOLE WITHOUT THE WRITTEN PERMISSION OF CASTLE CREATIONS IS PROHIBITED.

UNLESS OTHERWISE SPECIFIED: DIMENSIONS ARE IN MM (IN) TOLERANCES: (UNLESS NOTED) ANGULAR: MACH ±0.5° BEND ±1° ONE PLACE DECIMAL ±0.01 TWO PLACE DECIMAL ±0.005	
DRAWN: JCV	
DATE: 12/13/12	
MATERIAL	
FINISH	
DO NOT SCALE DRAWING	

<i>castle creations, inc.</i>		
TITLE:		
SIZE	DWG. NO.	REV
<b>B</b>	EDGE LITE 200	
SCALE: 1:2	SHEET 1 OF 1	

8 7 6 5 4 3 2 1